

1953

EVINRUDE

COMPLETE PARTS CATALOG

PARTS LIST

EVINRUDE LIGHTWIN

MODEL 3012-3013

INSTRUCTIONS ON HOW TO ORDER

For their convenience, as well as ours, we ask our customers to carefully follow our instructions in ordering parts.

We also request that owners order their parts from our dealer or nearest service station or distributor.

ORDER BY PART NUMBER GIVING NAME OF PART ALSO.

ALWAYS GIVE THE SERIAL NUMBER OF THE MOTOR FOR WHICH PART OR PARTS ARE REQUIRED.

This is very important, and is necessary to intelligently fill your order. If you cannot give the number of the motor, state when and from whom the motor was purchased.

TELEGRAMS AND HOW TO USE "EVINRUDE CODE."

Telegram rates are based on fifteen words or less, for immediate delivery. Day letter or night letter rates are considerably cheaper. Detailed information may be found on rear of any telegram blank.

Use the following code only on messages of more than fifteen words. Each five code letters are charged

for as a word. English words and code words may be used in the same message, but code letters cannot be combined with English words.

A - 1	G - 7	L - Air Parcel Post
B - 2	H - 8	M - Freight - Truck
C - 3	I - 9	V - Air Express
D - 4	J - 0	X - Express
E - 5	K - Each	Y - Parcel Post
F - 6	P - Number	Z - Freight - Railway

Following is an example of a telegram not coded and the same reduced to code:

(NOT CODED - 22 WORDS.)

Parcel Post Two Number One Three Naught Naught Four Four Propeller Nut Twelve Number One Three Naught Naught Five Three Shear Pins.

(CODED - 8 WORDS.)

YBPAC JJDD Propeller Nut ABPAC JJEC Shear Pins.

Do not use this code in cable messages.

ROUTING • TERMS • RETURNS

SHIPPING INSTRUCTIONS.

Unless specific instructions accompany the order, we will use our own judgement on how to ship.

TERMS: CASH WITH ORDER OR C.O.D.

In ordering parts, to avoid C.O.D. shipments and extra charges, all orders should be accompanied by cash. Save time and money by remitting sufficient cash to cover cost of parts and Transportation Charges. Stamps are accepted in payment of all orders not over \$1.00. The right to hold all

orders unaccompanied by cash is reserved by Evinrude Motors, Milwaukee.

A minimum charge of \$0.50 net will be made on all orders amounting to less than this amount. We reserve the right to furnish additional parts to make up the difference.

INSTRUCTIONS ON RETURNING PARTS.

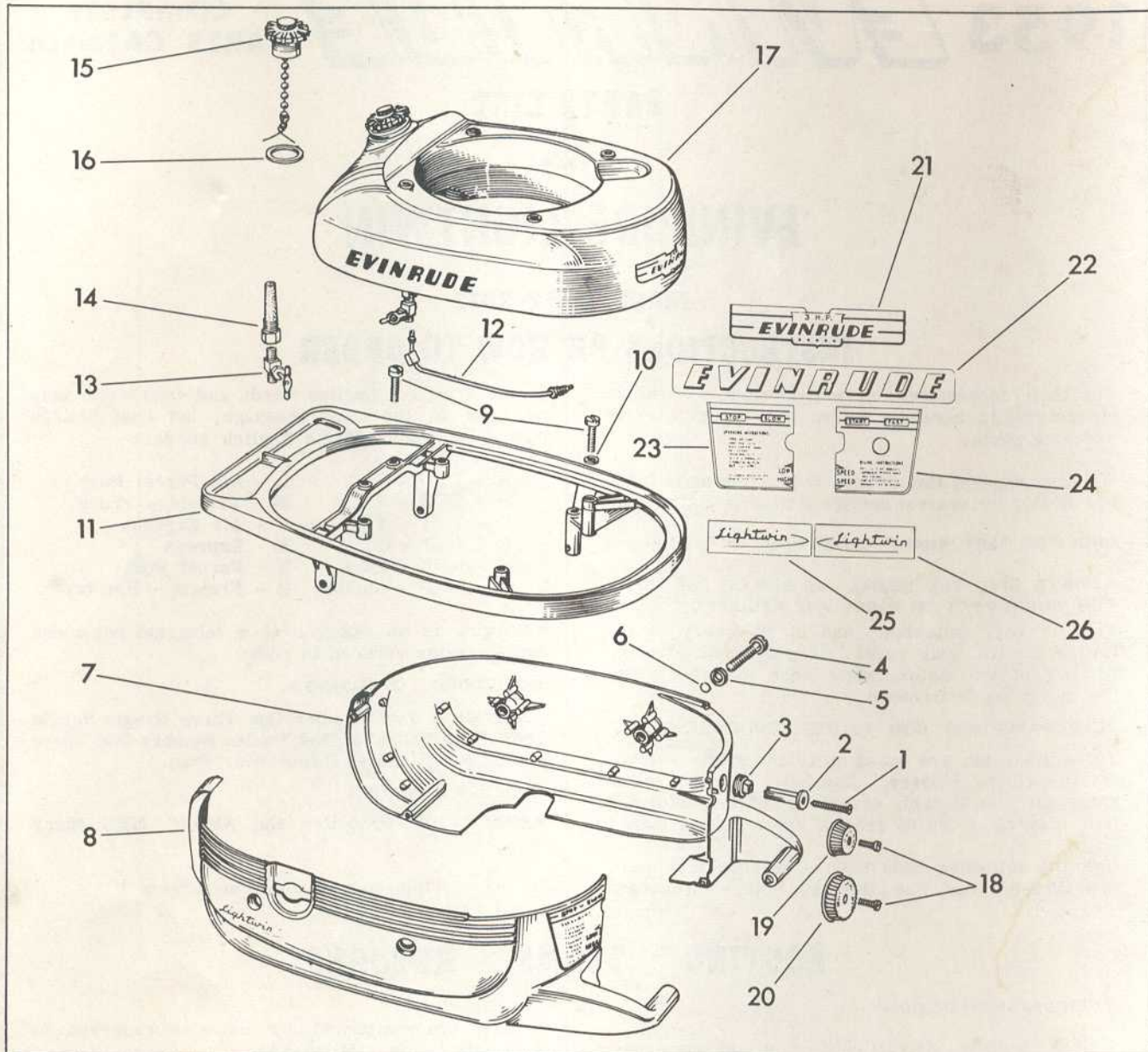
Parts can only be returned in accordance with terms outlined under the Service Policy laid down in the instruction manual.

ALL PRICES SUBJECT TO CHANGE WITHOUT NOTICE

EVINRUDE MOTORS, Milwaukee, Wis., U.S.A.

CABLE ADDRESS "EVINRUDE"

LIGHTWIN FUEL TANK - MOTOR COVERS

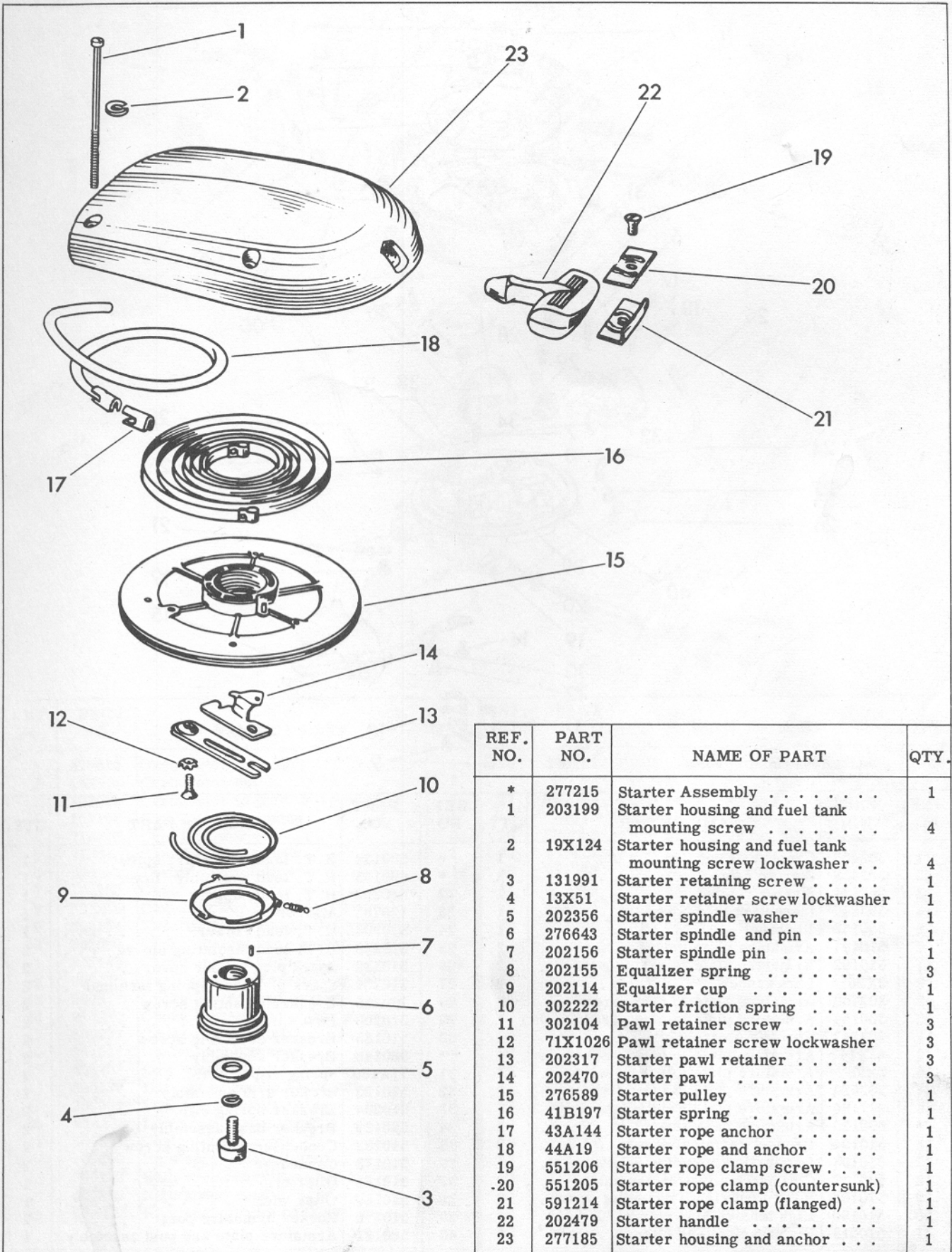


REF. NO.	PART NO.	NAME OF PART	QTY.	REF. NO.	PART NO.	NAME OF PART	QTY.
1	303060	Choke control knob screw	1	15	375514	Filler cap assembly	1
2	203189	Choke control knob	1	16	5A48	Filler cap gasket	1
3	203361	Cover to choke knob grommet	1	17	277179	Fuel tank assembly	1
4	203202	Motor cover mounting screw	4	18	551517	Control knob screw	2
5	19X124	Motor cover mounting screw lockwasher	4	19	203201	Low speed control knob	1
6	121019	Motor cover mounting screw lock ring	4	20	203200	High speed control knob	1
7	277193	Motor cover assembly, port	1	21	203311	Fuel tank Medallion transfer	1
8	277192	Motor cover assembly, starboard.	1	22	203305	Fuel tank transfer	2
9	21X167	Fuel tank mounting plate screw	4	23	203205	Motor cover transfer - Medallion - Starboard	1
10	19X124	Fuel tank mounting plate screw lock washer, front	2	24	203204	Motor cover transfer - Port - Medallion	1
11	203196	Fuel tank mounting plate	1	25	203309	Model identification transfer - Starboard	1
12	277213	Fuel pipe assembly	1	26	203310	Model identification transfer - Port	1
13	277183	Fuel tank shut-off valve	1	*	43A128	Feeler gauge	1
14	277187	Fuel tank connector and filter assembly	1	*	277178	Tool kit assembly	1

* Not shown

ORDER YOUR PARTS FROM YOUR DISTRICT SERVICE STATION

LIGHTWIN STARTER

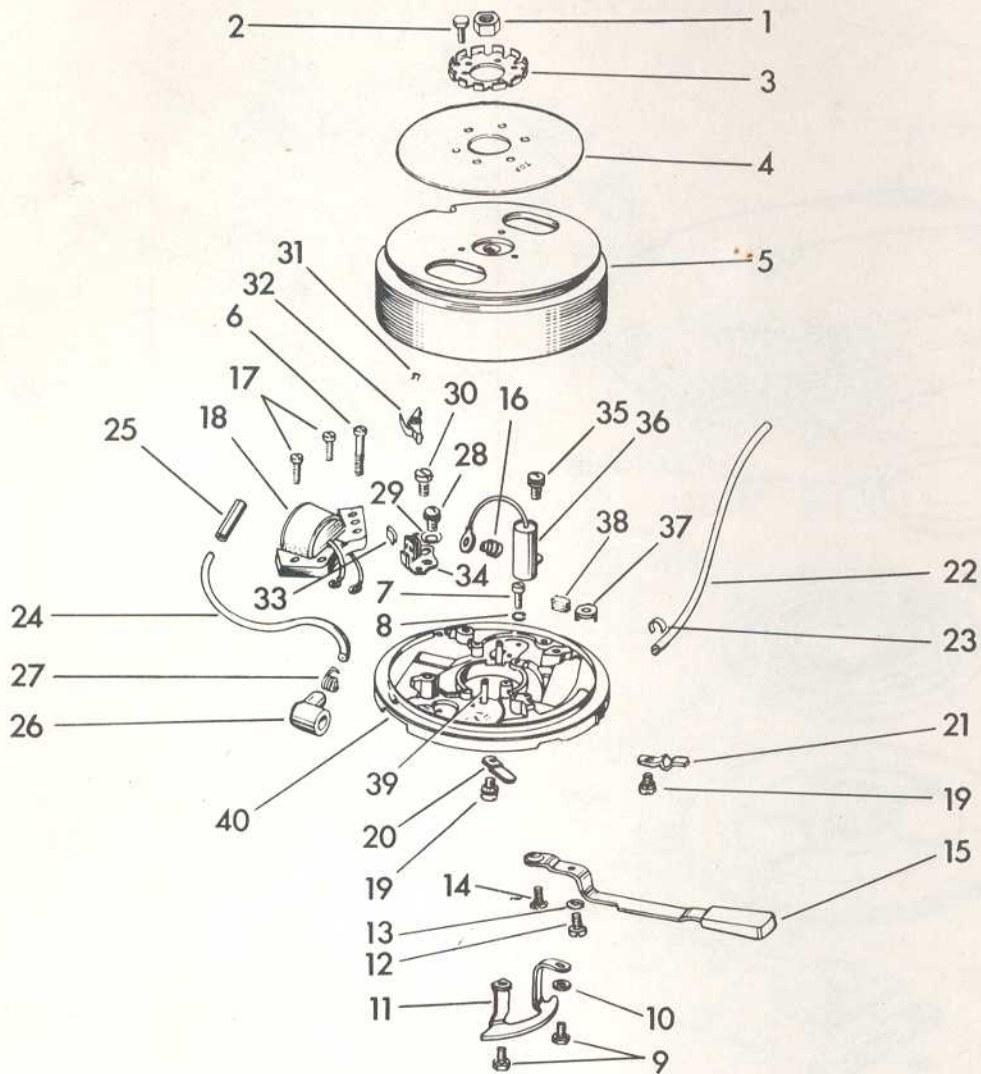


REF. NO.	PART NO.	NAME OF PART	QTY.
*	277215	Starter Assembly	1
1	203199	Starter housing and fuel tank mounting screw	4
2	19X124	Starter housing and fuel tank mounting screw lockwasher	4
3	131991	Starter retaining screw	1
4	13X51	Starter retainer screw lockwasher	1
5	202356	Starter spindle washer	1
6	276643	Starter spindle and pin	1
7	202156	Starter spindle pin	1
8	202155	Equalizer spring	3
9	202114	Equalizer cup	1
10	302222	Starter friction spring	1
11	302104	Pawl retainer screw	3
12	71X1026	Pawl retainer screw lockwasher	3
13	202317	Starter pawl retainer	3
14	202470	Starter pawl	3
15	276589	Starter pulley	1
16	41B197	Starter spring	1
17	43A144	Starter rope anchor	1
18	44A19	Starter rope and anchor	1
19	551206	Starter rope clamp screw	1
20	551205	Starter rope clamp (countersunk)	1
21	591214	Starter rope clamp (flanged)	1
22	202479	Starter handle	1
23	277185	Starter housing and anchor	1

* Not shown

ORDER YOUR PARTS FROM YOUR DISTRICT SERVICE STATION.

LIGHTWIN ARMATURE PLATE - FLYWHEEL

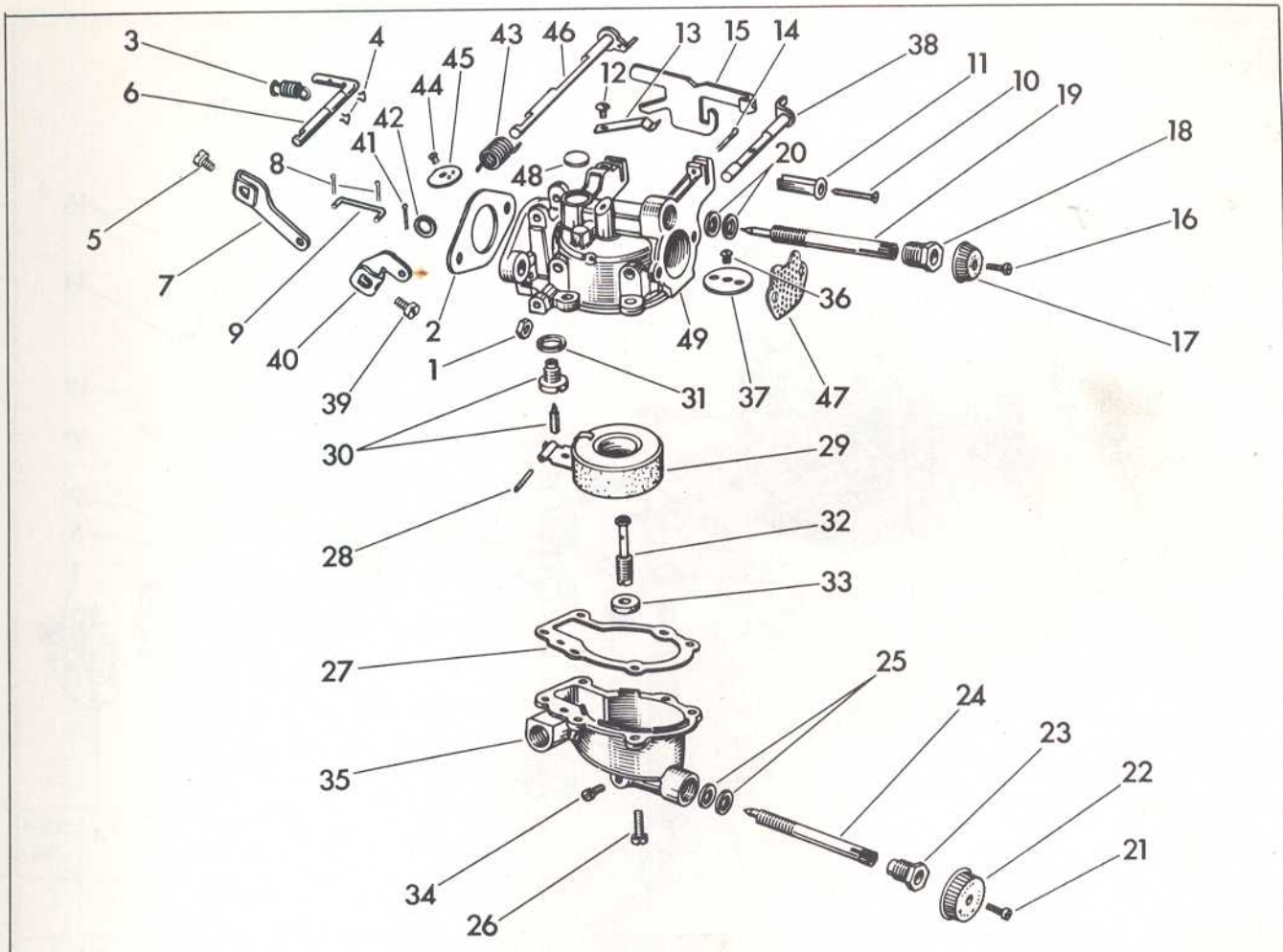


REF. NO.	PART NO.	NAME OF PART	QTY.	REF. NO.	PART NO.	NAME OF PART	QTY.
1	302458	Crankshaft nut	1	*	580134	H. T. lead assembly, upper . . .	1
2	302468	Starter ratchet screw	3	*	580135	H. T. lead assembly, lower . . .	1
3	202111	Starter ratchet	1	22	510202	H. T. lead, upper	1
4	303249	Inspection hole cover	1	23	120783	Marker	1
5	580149	Flywheel	1	24	510203	H. T. lead, lower	1
6	510191	Armature plate mounting screw .	2	25	510233	H. T. lead insulating sleeve . . .	2
7	510192	Armature plate mounting screw .	2	26	510232	Spark plug rubber cover	2
8	3X28	Lockwasher	2	27	510231	Spark plug lead spring terminal .	2
9	302750	Armature plate to cam screw . .	2	28	130255	Breaker mounting screw	2
10	300154	Armature plate to cam screw washer	1	29	510208	Bow washer	2
11	203147	Throttle control cam	1	30	510185	Breaker eccentric screw	2
12	43X147	Armature plate to handle screw .	1	*	580148	Breaker assembly	2
13	3X28	Armature plate to handle washer .	1	31	71A1052	Spring clip	2
14	202924	Armature plate to handle screw .	1	32	580123	Rocker arm assembly	2
15	277164	Armature plate handle assembly .	1	33	510204	Breaker spring clip	2
*	580120	Armature base assembly	1	34	580122	Breaker base assembly	2
16	510194	Breaker terminal screw	2	35	510193	Condenser mounting screw	2
17	510195	Lamination mounting screw	4	36	510173	Condenser	2
18	580118	Coil and lamination assembly . .	2	37	510188	Oiler clip	1
19	510193	H. T. lead clamp mounting screw .	2	38	510189	Oiler wick	1
20	510190	High tension lead clamp	1	39	510178	Rocker armature post	2
21	510218	High tension lead clamp	1	40	580121	Armature plate and post assembly	1

* Not shown

ORDER YOUR PARTS FROM YOUR DISTRICT SERVICE STATION.

LIGHTWIN CARBURETOR ASSEMBLY

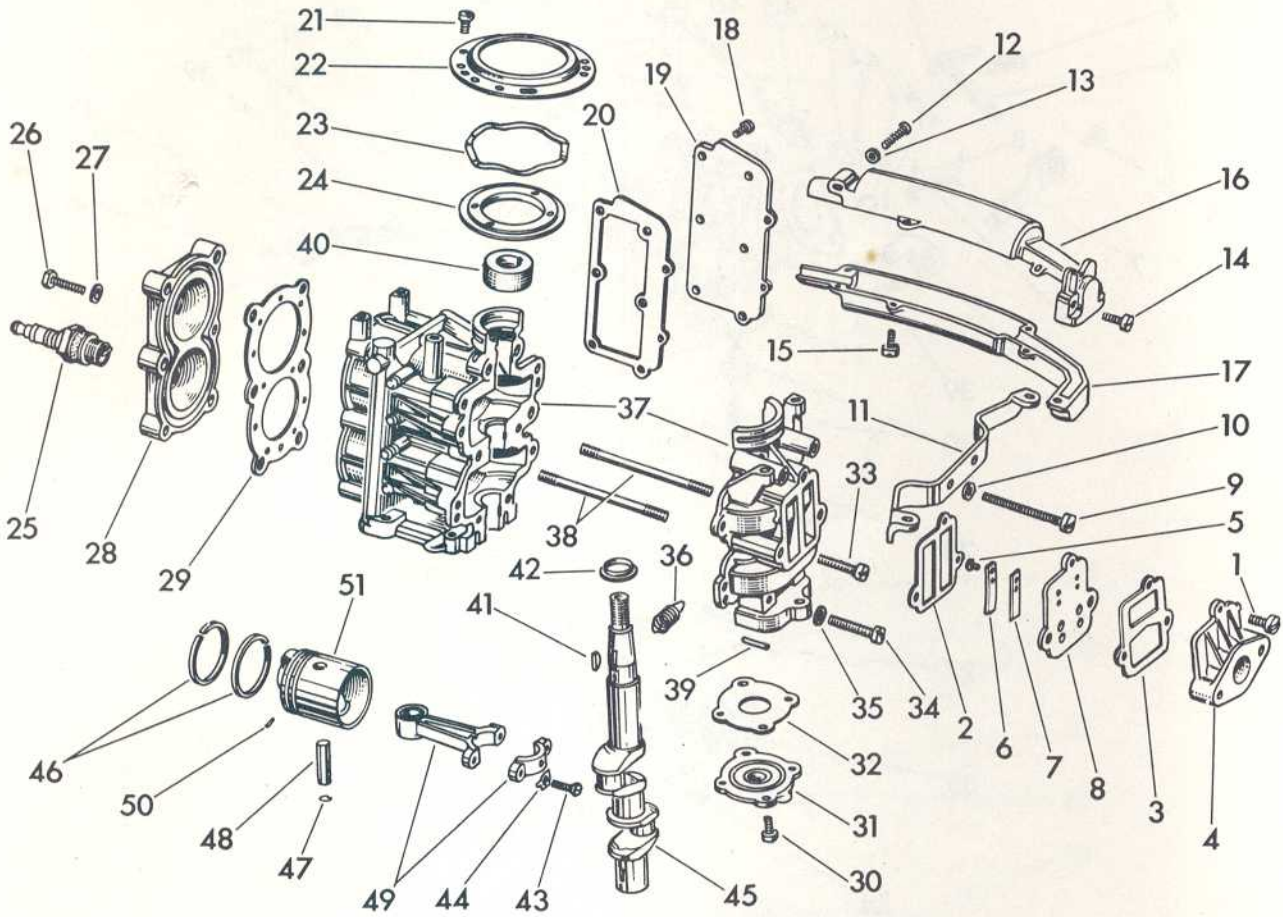


REF. NO.	PART NO.	NAME OF PART	QTY.	REF. NO.	PART NO.	NAME OF PART	QTY.
*	376013	Carburetor assembly	1	26	300181	Float chamber to carburetor body screw	5
1	19X136	Carburetor nut	2	27	302994	Carburetor body to float chamber gasket	1
2	303003	Carburetor to manifold gasket . .	1	28	300096	Float arm hinge pin	1
3	203166	Cam follower spring	1	29	375919	Float and float arm	1
4	71A1052	Cam follower clip	2	30	375918	Float valve and seat	1
5	71X1038	Cam follower screw	1	31	301996	Float valve seat washer	1
6	203162	Throttle cam follower	1	32	302986	High speed nozzle	1
7	203163	Cam follower lever	1	33	302984	Float chamber to carburetor boss gasket	1
8	53X409	Cam follower link cotter pin . .	2	34	303041	Float chamber drain screw	1
9	203164	Throttle lever to cam follower link	1	35	302985	Float chamber	1
10	303060	Choke control knob screw	1	36	302667	Choke valve screw	1
11	203189	Choke control knob	1	37	302979	Choke valve	1
12	302430	Carburetor body to spring screw .	1	38	375921	Choke shaft and lever assembly .	1
13	302977	Choke control rod spring	1	39	71X1038	Throttle follower screw	1
14	21X163	Choke control rod cotter pin . . .	1	40	302978	Cam follower to throttle shaft lever	1
15	302997	Choke control rod	1	41	303049	Throttle shaft cotter pin	1
16	551517	Control knob screw	1	42	303048	Throttle shaft washer	1
17	203201	Low speed control knob	1	43	302996	Throttle shaft spring	1
18	300179	Low speed needle valve nut	1	44	302667	Throttle valve screw	1
19	302991	Low speed needle valve	1	45	302983	Throttle valve	1
20	43A123	Low speed valve packing	2	46	375922	Throttle shaft and lever assembly.	1
21	551517	Control knob screw	1	47	203320	Air silencer to carburetor screen	1
22	203200	High speed control knob	1	48	27X309	Expansion plug	1
23	300179	High speed needle valve nut	1	49	375973	Carburetor body and plug	1
24	302992	High speed needle valve	1				
25	43A123	High speed valve packing	2				

* Not shown

ORDER YOUR PARTS FROM YOUR DISTRICT SERVICE STATION.

LIGHTWIN POWER HEAD - CRANKCASE - CRANKSHAFT

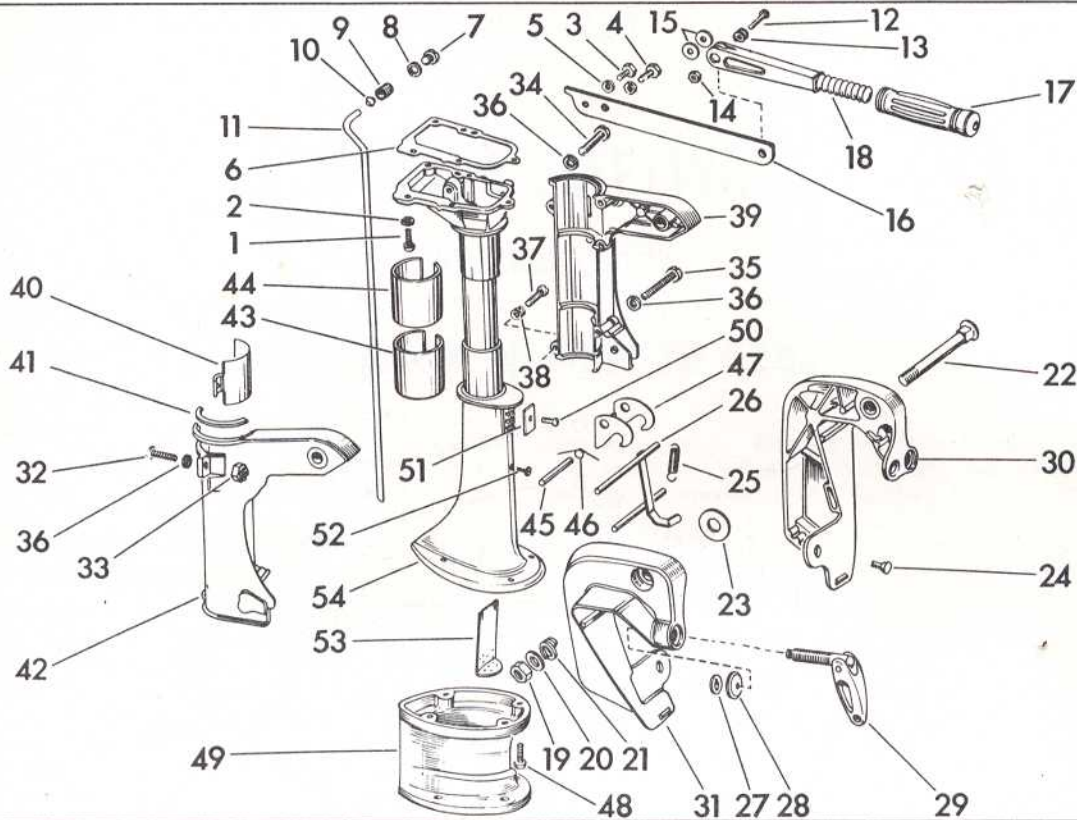


REF. NO.	PART NO.	NAME OF PART	QTY.	REF. NO.	PART NO.	NAME OF PART	QTY.
1	13X558	Manifold to crankcase screw . . .	1	27	43X302	Cylinder head screw washer . . .	6
2	203180	Leaf plate to crankcase gasket . .	1	28	203176	Cylinder head	1
3	203228	Leaf plate to manifold gasket . .	1	29	203130	Cylinder head gasket	1
4	203144	Carburetor manifold	1	30	13X558	Inner flange mounting screw . . .	4
*	277174	Leaf plate assembly	1	31	203145	Inner flange	1
5	302667	Leaf mounting screw	4	32	203161	Inner flange gasket	1
6	203173	Leaf back-up plate	2	33	25X238	Crankcase to cylinder screw, short	4
7	203175	Leaf	2	34	27X17	Crankcase to cylinder screw, medium	2
8	203174	Leaf plate only	1	35	300399	Crankcase to cylinder screw washer	2
9	39X72	Crankcase to cylinder screw, long	2	36	302827	High tension leads spring	1
10	300399	Crankcase to cylinder washer . .	2	37	277171	Cylinder and crankcase assembly .	1
11	203148	Fuel tank mounting plate support .	1	38	203159	Cylinder and crankcase stud . . .	2
12	132123	Silencer to cylinder screw	1	39	300402	Taper pin	2
13	300154	Silencer to cylinder screw washer	1	40	510167	Magneto cam	1
14	13X558	Silencer to carburetor screw . . .	2	41	120395	Flywheel key	1
*	277199	Air silencer assy	1	42	301781	Oil slinger	1
15	43X156	Silencer screw	7	43	43A44	Connecting rod screw	4
16	203224	Air silencer, upper half	1	44	43A17	Connecting rod screw lockplate . .	4
17	203225	Air silencer, lower half	1	45	203177	Crankshaft	1
18	43X147	Exhaust cover plate screw	7	46	203152	Piston ring	4
19	203172	Exhaust cover plate	1	46	203398	Piston ring, .020 O.S.	4
20	203171	Exhaust cover plate gasket . . .	1	47	120960	Piston pin spring ring	4
21	41X223	Armature plate support screw . . .	3	48	203151	Piston pin	2
22	302599	Armature plate support	1	49	277167	Connecting rod assembly	2
23	552029	Armature plate wave washer . . .	1	50	300846	Piston dowel pin	4
24	302442	Armature plate retaining ring . .	1	51	277166	Piston less rings	2
25	200322	Spark plug	2	51	277283	Piston, less rings, .020 O.S. . .	2
26	21X358	Cylinder head screw	6				

* Not shown

ORDER YOUR PARTS FROM YOUR DISTRICT SERVICE STATION.

LIGHTWIN STERN BRACKET - SWIVEL BRACKET - STEERING HANDLE

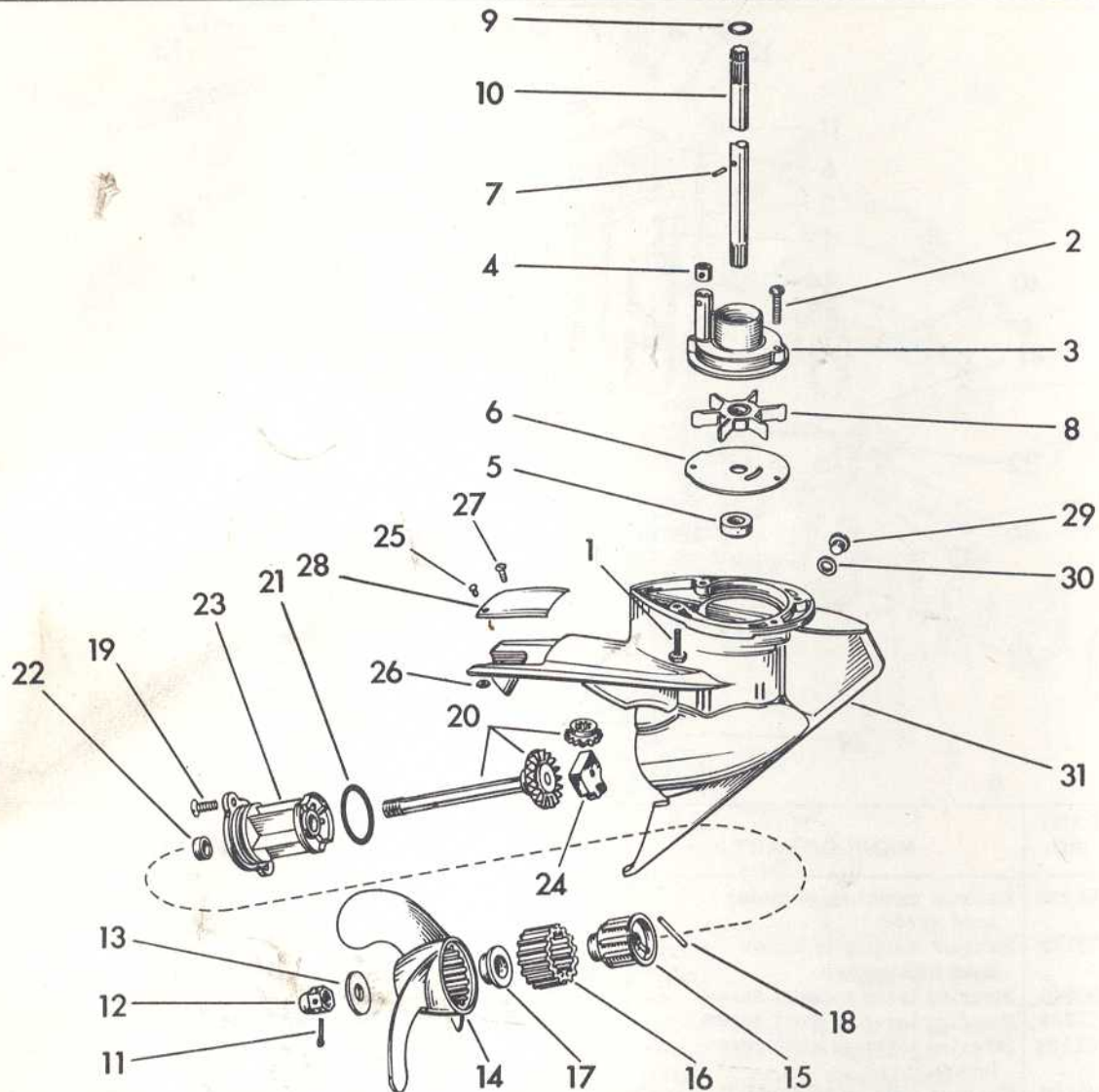


REF. NO.	PART NO.	NAME OF PART	QTY.	REF. NO.	PART NO.	NAME OF PART	QTY.
1	25X238	Exhaust mounting to motor head screw	4	29	375744	Clamp screw assembly with button and retainer	2
2	302376	Exhaust housing to motor head lockwasher	5	30	277177	Stern bracket and clamp screw, port	1
3	300646	Steering lever support screw . . .	1	31	277078	Stern bracket and clamp screw, Starboard	1
4	302288	Steering lever support screw . . .	1	32	302964	Swivel bracket clamp screw . . .	1
5	19X124	Steering lever support screw lockwasher	2	33	203157	Swivel bracket clamp screw nut . .	1
6	203160	Exhaust housing to motor head gasket	1	34	21X167	Swivel bracket screw, short . . .	1
7	43A39	Water tube terminal plug	1	35	41X178	Swivel bracket screw, long	3
8	300043	Water tube plug washer	1	36	19X124	Swivel bracket screw lockwasher .	4
9	43A129	Water inlet tube nut	1	37	21X124	Swivel bracket co-pilot screw, Motors No. 16305 and up	1
10	13X304	Water inlet tube gland	1	38	71A1085	Swivel bracket spring, Motors No. 16305 and up	1
11	203142	Inlet water tube	1	39	277253	Swivel bracket, port	1
11	203217	Inlet water tube, 5 in. longer . .	1	40	203143	Swivel bracket clamp	1
12	132124	Steering handle screw	1	41	203188	Swivel bracket thrust washer . . .	2
13	71A1085	Steering handle spring	1	42	203155	Swivel bracket, starboard	1
14	15X254	Steering handle nut	1	43	203134	Swivel bracket shock absorber lower	1
15	300026	Steering handle washer	2	44	203135	Swivel bracket shock absorber upper, to motors No. 16304 . . .	1
16	203124	Steering handle support	1	44	203348	Swivel bracket shock absorber, upper, motors No. 16305 and up .	1
17	203125	Steering handle grip	1	45	203127	Reverse lock pin	1
18	203122	Steering handle - less grip	1	46	200672	Reverse lock spring	1
19	130743	Tilting bolt nut	1	47	203158	Reverse lock	1
20	202036	Tilting bolt friction washer	2	48	300630	Gear case to gear case extension screw, 5" longer	4
21	202027	Tilting bolt spring	1	49	203216	Gear case extension, 5" longer . .	1
22	203179	Tilting bolt	1	50	303274	D/S and exhaust housing cover screw	1
23	202026	Tilting bolt washer	1	51	203347	D/S and exhaust housing cover . .	1
*	277176	Stern bracket assembly	1	52	203302	Exhaust relief baffle screw	1
24	202008	Stern bracket rivet	1	53	203191	Exhaust relief baffle	1
25	202021	Tilting lever spring	1	54	277250	Drive shaft and exhaust housing . .	1
26	276417	Tilting lever assembly	1				
27	302420	Clamp screw button retainer	2				
28	41A48	Clamp screw button	2				

* Not shown

ORDER YOUR PARTS FROM YOUR DISTRICT SERVICE STATION.

LIGHTWIN GEAR HOUSING



REF. NO.	PART NO.	NAME OF PART	QTY.	REF. NO.	PART NO.	NAME OF PART	QTY.
*	277216	Gear case assembly	1	17	300619	Propeller clutch bushing	1
1	300630	Gear case to exhaust housing screw	4	18	203230	Propeller shear pin	1
2	302963	Impeller housing to gear case screw	2	19	302974	Propeller shaft bearing housing screw	2
3	203119	Impeller housing	1	20	277214	Propeller shaft and gear and pinion	1
4	203131	Water tube grommet	1	21	301917	Propeller shaft bearing housing seal	1
5	300599	Drive shaft seal	1	**22	300599	Propeller shaft seal	1
6	203132	Water pump plate	1	23	277234	Propeller shaft bearing housing assembly	1
7	300771	Impeller pin	1	24	203140	Propeller shaft thrust bearing . . .	1
8	277181	Pump impeller assembly	1	25	203190	Exhaust cover rivet	1
9	202893	Drive shaft to crankshaft "O" ring	1	26	303068	Exhaust cover rivet washer	1
10	203137	Drive shaft	1	27	203342	Exhaust cover screw	1
10	203215	Drive shaft 5" longer	1	28	203121	Exhaust cover	1
11	302804	Propeller nut cotter pin	1	29	27A283	Oil and drain plug screw	2
12	43A71	Propeller nut	1	30	27X284	Oil and drain screw washer	2
13	300573	Propeller hub washer, outer	1	31	277235	Gear case and exhaust cover	1
14	203120	Propeller	1				
15	277163	Propeller clutch hub assembly	1				
16	300565	Propeller clutch ring	1				

* Not shown

** On motors numbered 3012-3013 to 03940 when Propeller Shaft Seal needs replacing use 277234 Propeller Shaft Bearing Housing Assembly.

ORDER YOUR PARTS FROM YOUR DISTRICT SERVICE STATION.

DE MOTORS • MILWAUKEE 16, WISCONSIN

IN CANADA: EVINRUDE MOTORS, PETERBOROUGH, ONTARIO